

Fresh air valve RIV



AIRTREND Ltd
Predstavništvo u Beogradu
Kumanovska 14, 11000 Beograd
Tel: 011/3836886, 3085740
Faks: 011/3444113
e-mail: gobrid@eunet.rs
web: www.airtrend.rs

FläktWoods

RIV

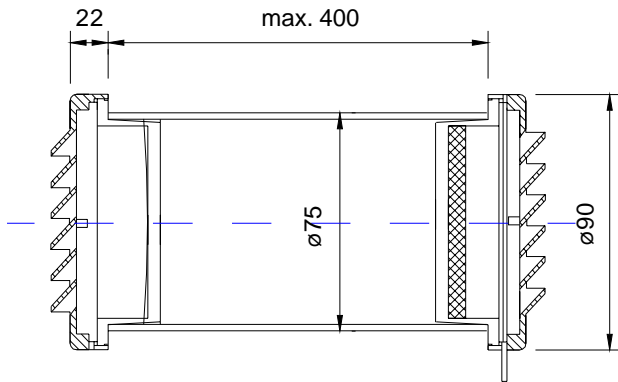
CONSTRUCTION

The RIV valve is made of ABS-plastic. The valve consists of outer grille, inlet duct, inner grille with regulation device and filter.

INSTALLATION

The RIV valve may be fitted through walls, ventilating panes or behind the radiator. The inlet duct can be shortened to suit wall thickness (suitable thickness of the wall is 50-400 mm).

DIMENSIONS



RIV fresh air valve is especially designed for fresh air supply when air flow volumes are small.

- opening for inlet duct only $\varnothing 80$ mm
- volume flow 3 l/s by 20 Pa pressure difference
- durable inlet duct

ORDER EXAMPLE

Product **RIV**
(the outer diameter of the inlet duct is 75 mm)

DEFINITIONS

q_v air volume (l/s)
 Δp_s static pressure drop (Pa)
 L_{p10A} sound pressure level with 4 dB room attenuation (10 m²sab) [dB(A)]

